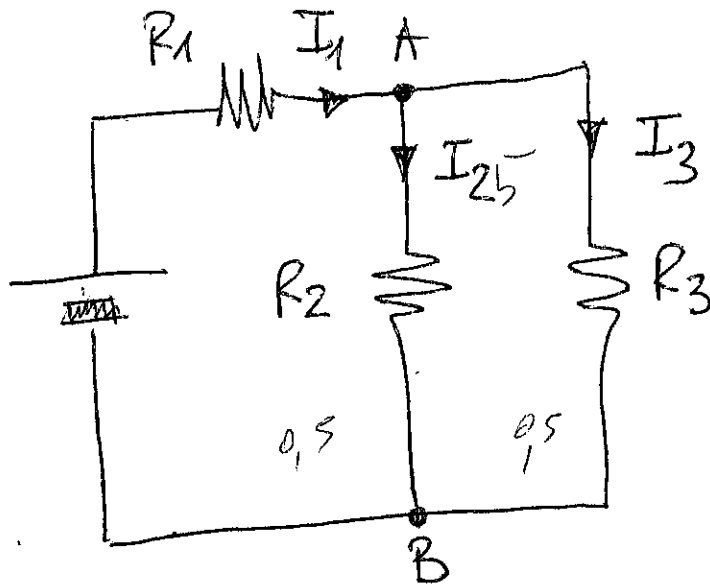


DATO IL SEGUENTE CIRCUITO

①



DATI

$$R_1 = 5 \text{ k}\Omega$$

$$R_2 = 10 \text{ k}\Omega$$

$$R_3 = 10 \text{ k}\Omega$$

$$E_1 = 10 \text{ V}$$

DETERMINARE:

La grandezza  $V_{AB}$

~~$$R_1 + \frac{1}{R_2}$$~~

$$V = R + \frac{1}{I}$$

$$\checkmark R =$$



Among the popular sights that Rita and Joanne visited are Big Ben, Buckingham Palace, and the London Eye. Big Ben is one of London's most famous monuments. It is a large clock tower located at the northern end of Westminster Palace. The clock tower is 96 meters tall. Unfortunately, Rita and Joanne were only able to view the tower from the outside. The women learned that the tower's interior is undergoing renovations until 2021.

6

6